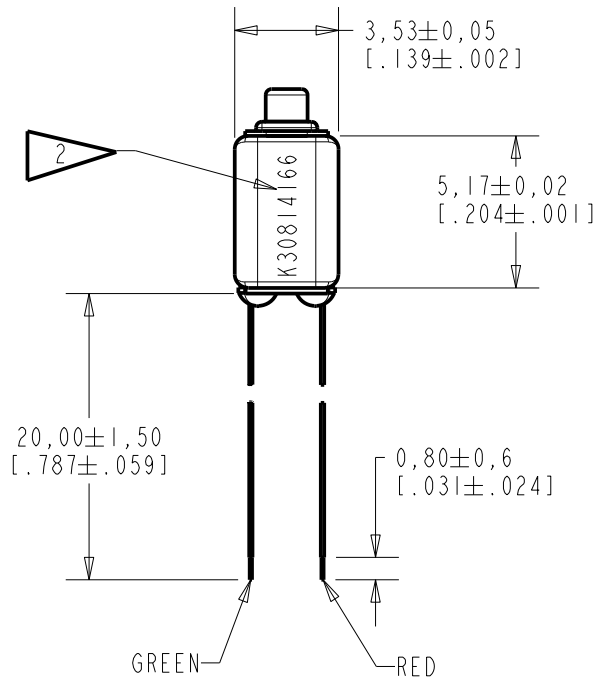


**FC-30814-P127**

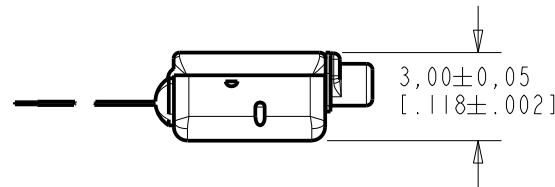
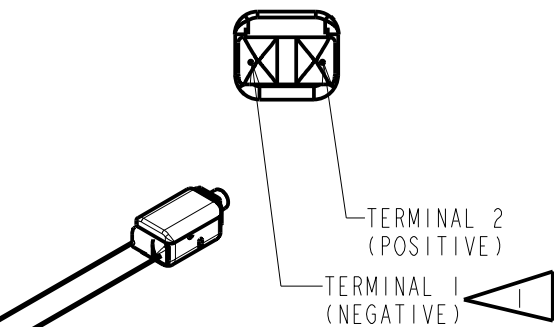
**SHT 1.1**



NOTES:

1 A POSITIVE GOING VOLTAGE AT TERMINAL 2, RELATIVE TO TERMINAL 1, CAUSES A DECREASE IN PRESSURE AT THE SOUND OUTLET.

2 FOR LASER MARKING DETAIL, SEE INDIVIDUAL TRANSDUCER (NO ADDITIONAL MARK ADDED).



SCALE 2:1  
NOMINAL WEIGHT  
.23 GRAMS

DIMENSIONS IN MILLIMETERS [INCHES]

**KNOWLES ELECTRONICS**  
ITASCA, ILLINOIS U.S.A.

Revision	C.O. #	Implementation Date	RELEASE LEVEL	REVISION
A	C40100850	12-29-11	<b>Active</b>	<b>A</b>
SCALE: 4:1			DR. BY: OQ	DATE: 12-29-11
DO NOT SCALE DRAWING			CK. BY: GJP	DATE: 1-3-12
TITLE: RECEIVER		FC-30814-P127	APP. BY: GJP	DATE: 1-3-12
OUTLINE DRAWING		SHT 1.1		

NOTES:

1. UNITS ARE TESTED AS INDIVIDUAL RECEIVERS. FOR THESE SPECIFICATIONS SEE FC-30814-166, SHEET 2.1.

Revision	C.O. #	Implementation Date	RELEASE LEVEL	REVISION
			<b>Active</b>	<b>A</b>
A	C40100850	12-29-11		

WHEN TEST LIMITS ARE USED TO ESTABLISH INCOMING INSPECTION ACCEPTANCE/REJECTION CRITERIA, CORRELATION OF TEST EQUIPMENT WITH KNOWLES IS ALSO REQUIRED FOR ELIMINATION OF EQUIPMENT AND TEST METHOD VARIATION		DR. BY 00	DATE 12-29-11
TITLE: <b>RECEIVER</b> PERFORMANCE SPECIFICATION		CK. BY GJP	DATE 1-3-12
		APP. BY GJP	DATE 1-3-12

**KNOWLES ELECTRONICS**  
ITASCA, ILLINOIS U.S.A.

**FC-30814-P127**  
SHT 2.1